



## Mk2000

### Magnetic Compass Outfit

For commercial vessels over 150GRT, fishing vessels over 35m and naval vessels with or without DG correction

Suitable for use with Lilley & Gillie (and other) Transmitting Magnetic Compass (TMC) equipment to operate repeaters, off-course alarms and outputs to navigation equipment including gyro back up



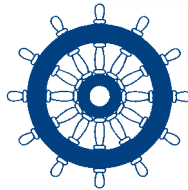
New G5720



New OCA option



SR4



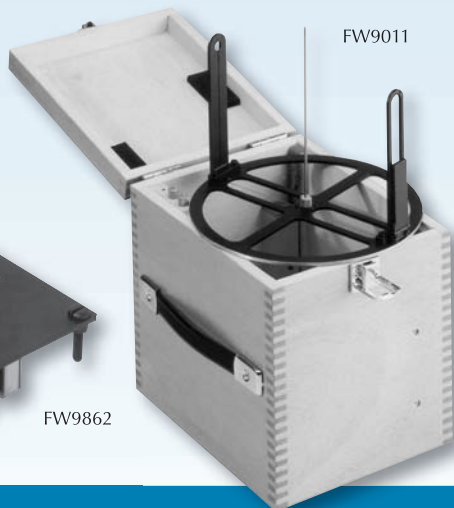
Type approved to the European Marine Equipment Directive (MED), Chinese Classification Society and other Maritime Authorities

### Design Features

- Reduced shipyard installation work
- Improved watertightness around deck/periscope area
- Simple periscope assembly installation and removal
- Low weight
- Low voltage lighting within the binnacle
- Mounting arrangements for various TMC sensors



FW9862



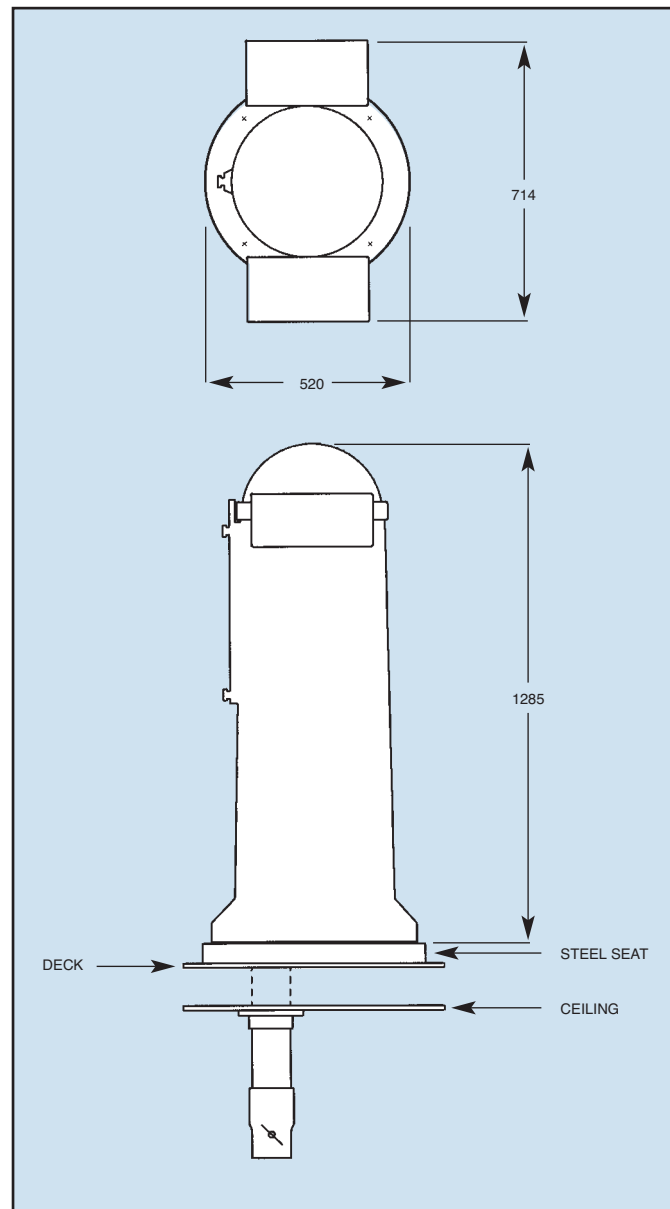
FW9011



# Lilley & Gillie Mk2000 Magnetic Compass Outfit

The compass outfit is available in Reflector, Non-Reflector and Naval (DG Correction) versions with the following features.

<b>Material</b>	Reinforced glassfibre binnacle.	
<b>Correction</b>	A full set of compensating magnets for B, C and H plus adequate quadrantal corrector and flinders plates.	
<b>Periscope</b>	Telescopic with a maximum vertical length of two metres.	
<b>Fixings</b>	Rubber base gasket and four S/S M20x90 mounting bolts, nuts and washers.	
<b>Lighting</b>	Two 24vdc 15w lamps and one spare fitted within the binnacle. Control of lamps, dimmer and power supply by the FW9862 Control Unit. A two position dimmer switch is also fitted within the binnacle for local control.	
<b>Power Supplies</b>	The FW9862 Control Unit includes a transformer and has AC mains (110 or 220v) and 24vdc inputs with 24vdc outputs. Both the input and output circuits are switched thereby maintaining illumination under all circumstances. A two position dimmer switch is included on the control unit.	
<b>Compass</b>	Lilley & Gillie 'SR4', Class A, 175mm Reflector Card.	
<b>Azimuth Mirror</b>	The FW9011 Azimuth Reading Device, Group 1 Type, Azimuth Mirror/Circle, is supplied in a hardwood storage box.	
<b>Weights</b>	Reflector Binnacle	35kg
	Non-Reflector Binnacle	30kg
	'SR4' Compass	6.5kg
	Lighting Control Unit	0.62kg
	FW9011 Azimuth in box	1.45kg
<b>Colour</b>	Binnacle, Dark Admiralty Grey. (Others available) Periscope Assembly, Black. Lighting Control Unit, Black with white lettering.	



Manufacturer of magnetic compasses, TMC's and nautical instruments. Adjusting, testing and repair of magnetic compasses by certificated compass adjusters.



Manufacture of type approved navigation and data instrumentation for commercial vessels.



Manufacture of military grade instrumentation systems for naval and paramilitary vessels.



**PC MARITIME**

ECDIS and electronic chart systems.



International Admiralty Chart Agent. Supply and updating services for BA, US, Primar and numerous other publishers' charts, publications and books including electronic charts (Raster and S57) and digitised products.



UK sales of specialised Avecs software including emergency control, planned maintenance, quality document management and others.



UK sales and service of Yokogawa gyros, autopilots and logs.



Distribution of lighting products including navigation lights, navigation light switch panels and searchlights.



**John Lilley & Gillie Ltd.,**  
Clive Street, North Shields, Tyne & Wear. NE29 6LF. England.  
Tel: +44(0)191 257 2217  
Fax: +44(0)191 257 1521  
E-Mail: sales@lilleyandgillie.co.uk  
Web: www.lilleyandgillie.co.uk

# LILLEY & GILLIE

Directing International Shipping since 1812