

THE LEGEND IS BACK!



Variable Dual Frequency

# HE-7300V

10.4" Color LCD Echo Sounder

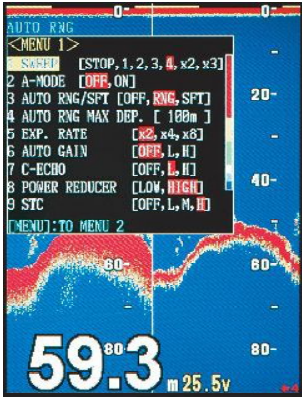
# HE-1500V

15" Color LCD Echo Sounder

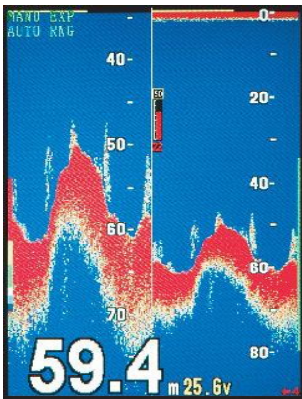


# HONDEX. HE-7300V / HE-1500V

- PLL amplifier enables you to retrofit the unit for existing transducer
- Quad display style (Landscape/Portrait & Reverse)
- Powerful commercial-grade output (UP to 5kW)
- Works with 2 transducers (Optional adaptor required)
- VGA output to second monitor (Option)



Menu

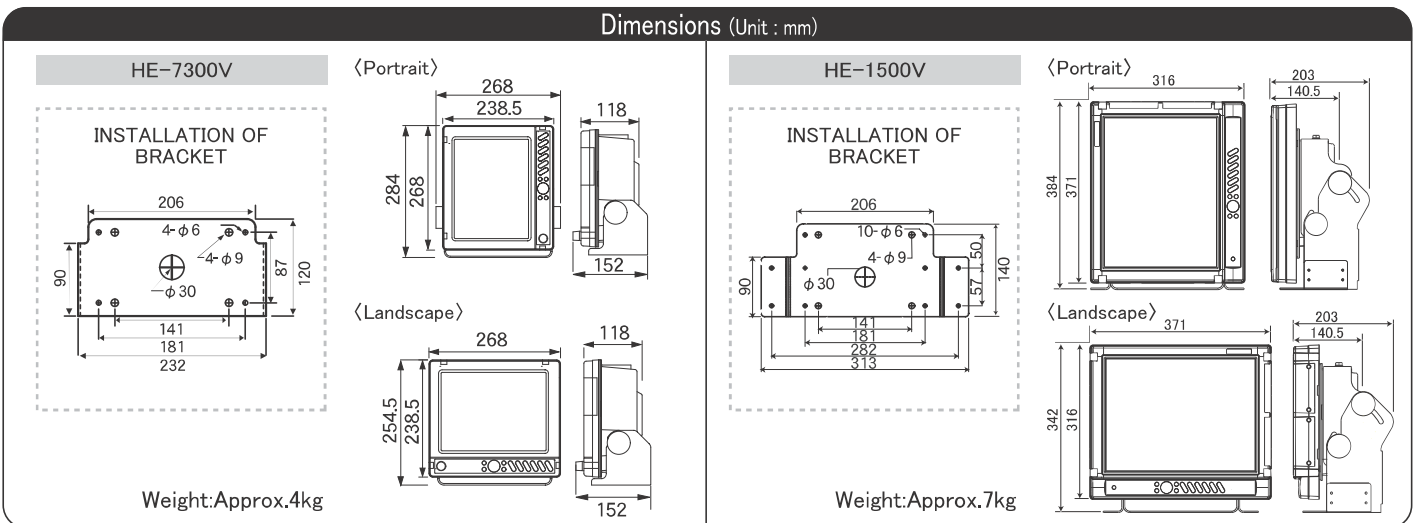


Exp + Normal (Portrait)

## Specifications

Display	10.4" Color TFT LCD (HE-7300V) 15.0" Color TFT LCD (HE-1500V)
Number of Pixel	640 × 480
Operating Voltage	11-35V DC
Power Consumption	45W (HE-7300V) 50W (HE-1500V)
Display Style	Portrait, Landscape & Reverse
Output Power	1 to 5kW (Depending on the transducer)
Frequency	Dual frequencies at 28,32,36,40,50,55,65,75,85,100,200kHz To use other Freq., please ask your dealer
Depth Range	5 to 2,000 Meters / Fathoms Brazas 15 to 6,000 Feet
Max Shift Range	2,000 to 4,000 Meters / Fathoms / Brazas 6,000 to 8,000 Feet
Auto Range / Auto Shift	OFF / Range / Shift
Auto Gain	OFF / Low / High
A-Mode	OFF / ON
Fish Alarm	OFF / Small / Large
Water Temp. Alarm	OFF / In Range / Out Range (Optional water temp. sensor required)
Depth Alarm	OFF / In Range / Out Range
Expansion Mode	OFF / BL / Auto / Manual
Expansion Rate	× 2, × 4, × 8
Background Color	4 Colors
Color Configuration	7 Patterns
Depth Unit	Meters / Feet / Fathoms / Brazas
Depth Readout	S / M / L
Scale Line	OFF / ON
Super Range	OFF / ON
STC	OFF / L / M / H
TX Power	Low / High
NMEA Output	Depth (DBT sentence) Water Temp. (MTW sentence)

## Dimensions (Unit : mm)



Specification subject to change without notice.

Dealer



**HONDEX** is trade name of  
**HONDA ELECTRONICS CO.,LTD.**

20 Oyamazuka, Oiwacho,  
Toyohashi, Aichi, Japan 441-3193

TEL: 81-532-41-2512

FAX: 81-532-41-4441

www.hondex.co.jp/



2008.10.27