



DAIKO

# REFLECTOR COMPASS

反射式磁気コンパス

SR-150PK  
SR-150PKK (H.K)  
SR-165PS  
SR-165PSK (H.K)



SR-165PS  
SR-165PSK

SR-150PK  
SR-150PKK

Project Binnacle Compass Type SR-150PK SR-165PS is installed upon the flying bridge deck and the Compass in the wheelhouse for both standard and steering purposes.

The binnacle has an optical equipment by which the graduation of the card can be projected on the lower part of the inner pipe pulled down when necessary Pushing up the inner pipe helps avoid bad effect due to other magnetic substances also saves space in the steering room.

By increasing the magnification on the thereflected graduation using the built-in room lens the SR-150PKK SR-165PSK can give same result as the 165mmcard.

Card graduation 000° ~ 360°

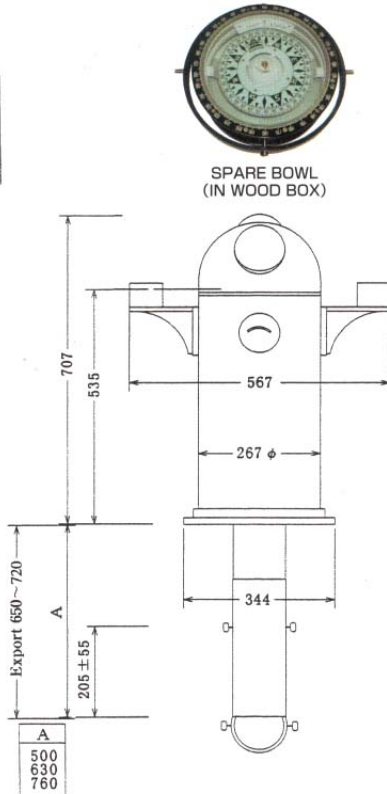
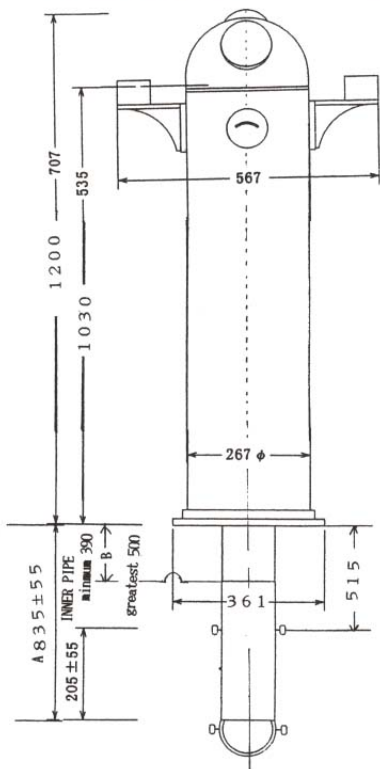
### Accessories

- CORRECTOR SPHERE 1 set
- FLINDERS BAR CASE 1 set
- SHADOW PINS 1 set
- PACKING 1 set
- SWITCH BOX 1 set

### Spare Parts

- MIRROR
- LAMP(DC24V/10W)10
- CLEANING CLOTH 1
- ANTI-CLOUD OIL 1

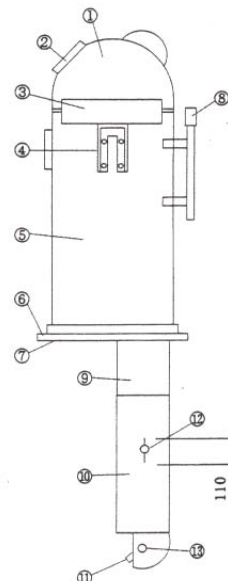
Distinctive sell  
AZIMUTH CIRCLE



SPARE BOWL  
(IN WOOD BOX)



SWITCH BOX



- ① HELMET
- ② PEEP WINDOW
- ③ CORRECTOR SPHERE
- ④ BRACKET
- ⑤ BINNACLE
- ⑥ BASE FLANGE
- ⑦ PACKING
- ⑧ FLINDERS BAR CASE
- ⑨ INNER PIPE
- ⑩ OUTER PIPE
- ⑪ MIRROR
- ⑫ FINGER SCREWS
- ⑬ FINGER SCREWS

Specifications subject to change without notice.

DAIKO KEIKI SEISAKUSYO CO., LTD.